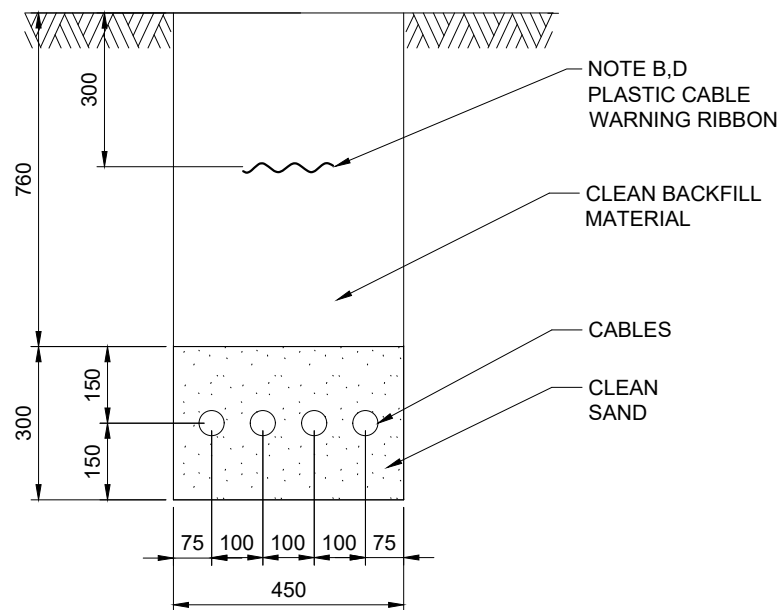


TYPICAL ARRAY OF DIRECT BURIED DUCTS

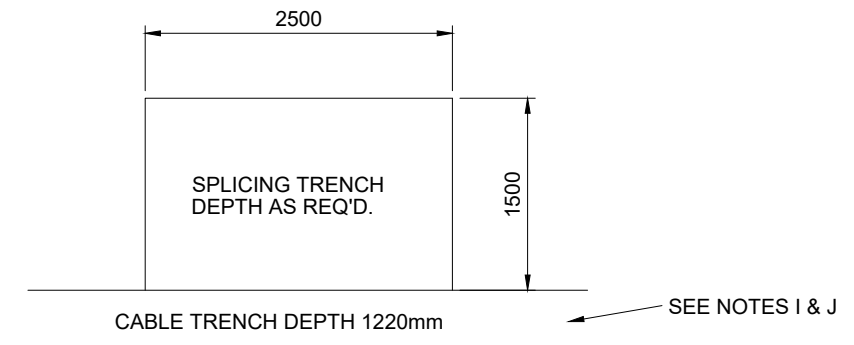
TYPICAL TRENCH FOR DIRECT BURIED THREE - PHASE CABLES

**NOTES:**

- A. ALL DIMENSIONS IN MILLIMETERS UNLESS OTHERWISE INDICATED.
- B. SUPPLIED BY HYDRO OTTAWA.
- C. CSA C22.2 No. 211.1 APPLIES TO ALL PVC DUCTING.
- D. BACKFILL TO LEVEL OF RIBBON. INSTALL RIBBON AND BACKFILL.
- E. EACH SUCCESSIVE LAYER OF DUCTS TO BE LAID AND BACKFILLED WITH SAND UNTIL ALL LAYERS HAVE BEEN BURIED.
- F. INTERMEDIATE SPACERS NOT TO BE USED.
- G. DUCT JOINTS TO BE GLUED USING AN APPROVED PVC SOLVENT.
- H. ALL DUCT ACCESSORIES SHALL BE OF PVC SOLVENT WELD TYPE. I.E. COUPLINGS, BENDS.
- I. FOR EACH ADDITIONAL CABLE OVER TWO ADD 230mm TO TRENCH WIDTH.
- J. CONTRACTOR IS REQUIRED TO PREPARE TRENCH AS SHOWN. TRENCH WALLS SHALL CONFORM TO THE REQUIREMENTS SPECIFIED IN THE OCCUPATION HEALTH AND SAFETY ACT. HYDRO OTTAWA WILL THEN INSTALL THE CABLE AND THE CONTRACTOR WILL BE REQUIRED TO BACKFILL AND REINSTATE TRENCH ACCORDING TO HYDRO OTTAWA SPECIFICATIONS.
- K. IN HYDRO OTTAWA OWNED SUBSTATION, MINIMUM COVER MAY BE REDUCED TO 450mm AS DIRECTED BY HYDRO OTTAWA.



TYPICAL TRENCH FOR DIRECT BURIED SINGLE PHASE CABLE



SPLICING PIT - PLAN VIEW

REVISIONS				PREP	CHKD	APPD	TITLE	
REV: 4	DATE: 2007-08-28	GM	KH	CSM	 WWW.HYDROOTTAWA.COM	ENGINEERING SPECIFICATION		
CHANGE: NOTES I & J ADDED						TRENCH FOR DIRECT BURIED CABLE AND DUCT		
REV: 5	DATE: 2008-06-09	CP	CP	CSM		CONSTRUCTION DETAIL		
CHANGE: NOTE K ADDED					PREP: F. BOLO	NO: <b>UDS0008</b>	1 OF 1 REV: 6	
REV: 6	DATE: 2019-09-27	EV	AK/MW	BDH	APPD: C. MALONE P.Eng			
CHANGE: REVISED NOTE J DIMENSION REVISED FOR DIRECT BURIED THREE PHASE CABLES					DATE: 2002-05-15			
						SCALE: N.T.S. @ ANSI B		

For Hydro Ottawa Use Only Copyright 2019