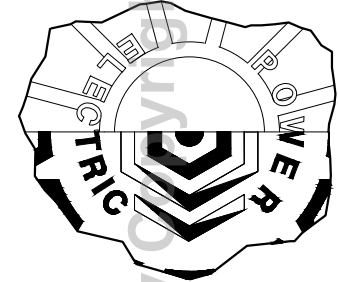
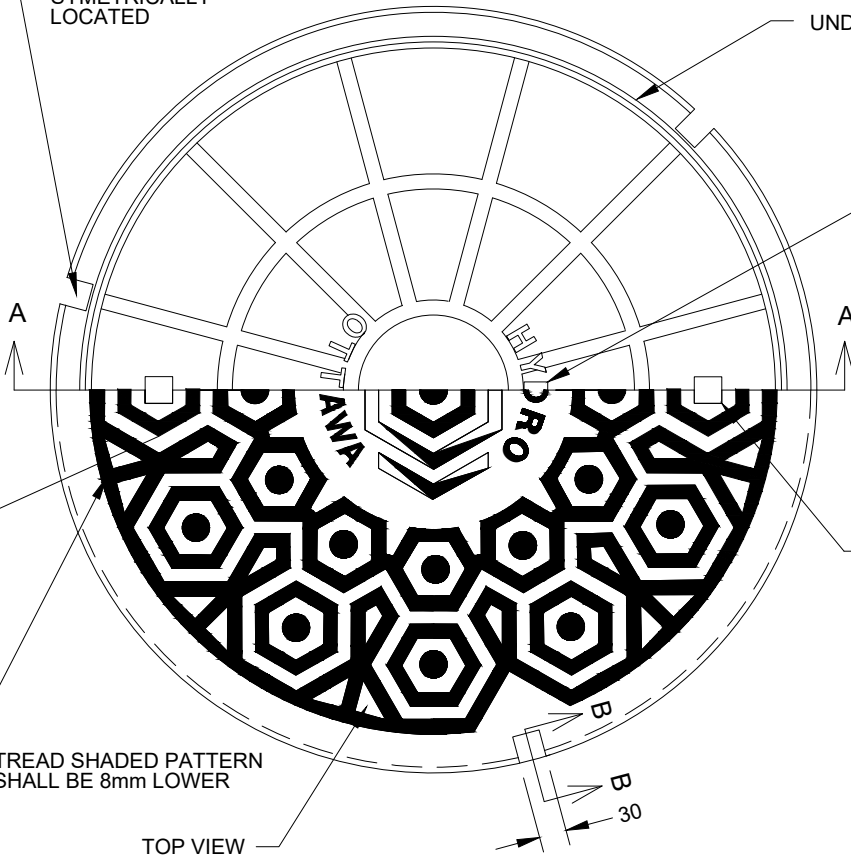


NOTES:

- A. ALL DIMENSIONS IN MILLIMETERS.
- B. BEARING : SURFACE TO BE MACHINED.
- C. PERFORMANCE IN ACCORDANCE WITH CSA STANDARD C83-96 ITEM C83.43-62 MANHOLE FRAME AND COVER.
- D. THIRD PARTY OWNED COVER CASTING TO READ "ELECTRIC POWER" INSTEAD OF "HYDRO OTTAWA"

RIM HOLE
(3 REQ'D.) TO BE
SYMETRICALLY
LOCATED

UNDERSIDE VIEW

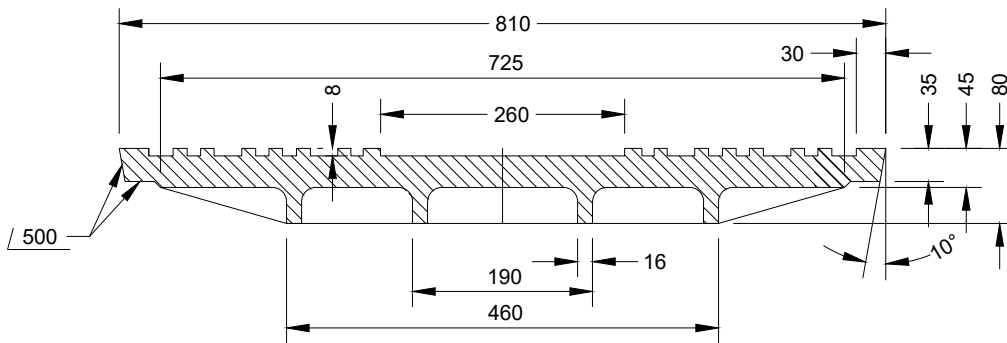


SEE NOTE 'D'

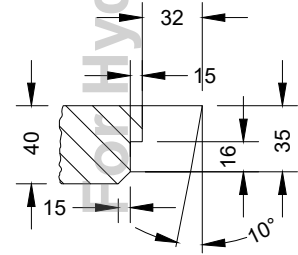
LIFTING HOOK HOLE
30mm. X 30mm. 1mm.
(2 REQ'D. TO BE LOCATED
ON THE SAME DIA. AS SHOWN)

TREAD SHADED PATTERN
SHALL BE 8mm LOWER

TOP VIEW



SECTION A-A



RIM HOLE DETAIL

SECTION B-B

G:\4.2.3 TECH STD & MAT\01 STDS\01 HOL\U-UNDERGROUND\CHAMBERS\UCS0021 R6 MANHOLE HARDWARE COVER.DWG

REVISIONS		PREP	CHKD	APPD
REV: 4	DATE: 2010-05-27	FB	RW	CSM
CHANGE: TITLE CHANGE				
REV: 5	DATE: 2011-06-14	GM	PL	CSM
CHANGE: ADD DETAIL TO SUPPORT NOTE 'D'				
REV: 6	DATE: 2021-05-18	EV	DM/ AD	MW
CHANGE: RE-AFFIRMED				



PREP: G. MOLNAR
CHKD: C. PROULX
APPD: C. MALONE P.Eng
DATE: 2002-04-04
SCALE: N.T.S. @ ANSI A

TITLE	ENGINEERING SPECIFICATION	
	MANHOLE HARDWARE COVER	
	CONSTRUCTION DETAIL	
NO:	UCS0021	REV: 1 OF 1 6