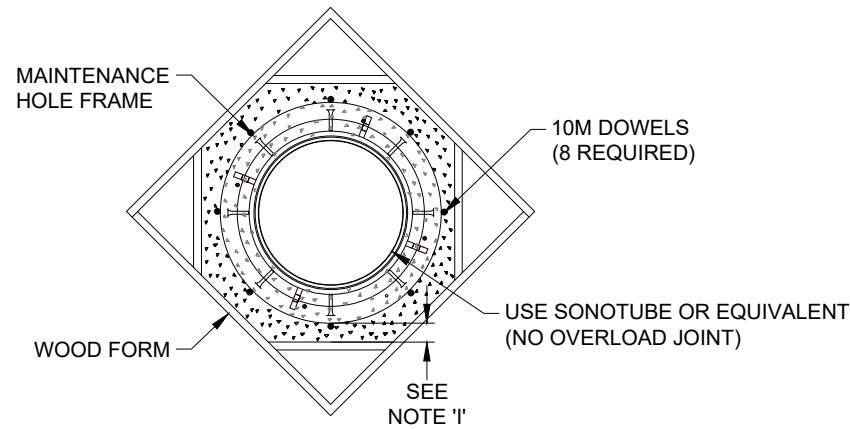
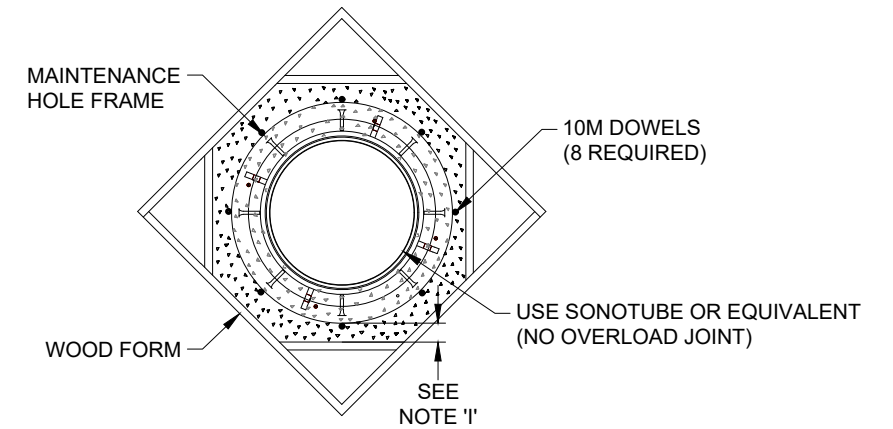


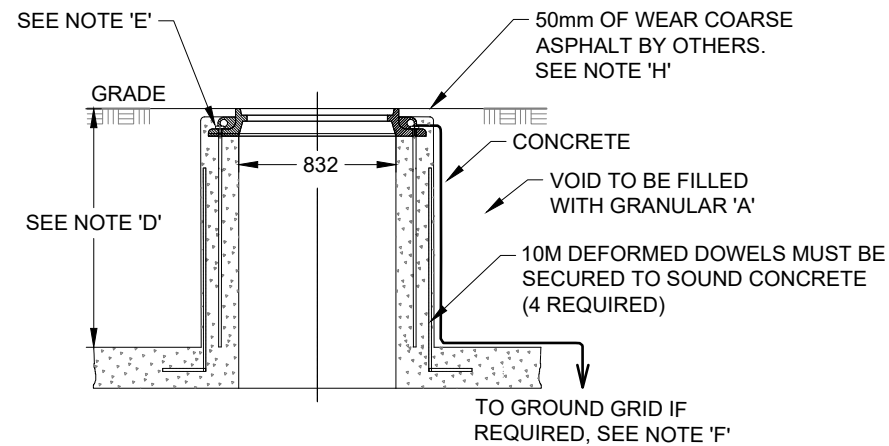
TOP VIEW - CAST IN PLACE MAINTENANCE HOLE COLLAR



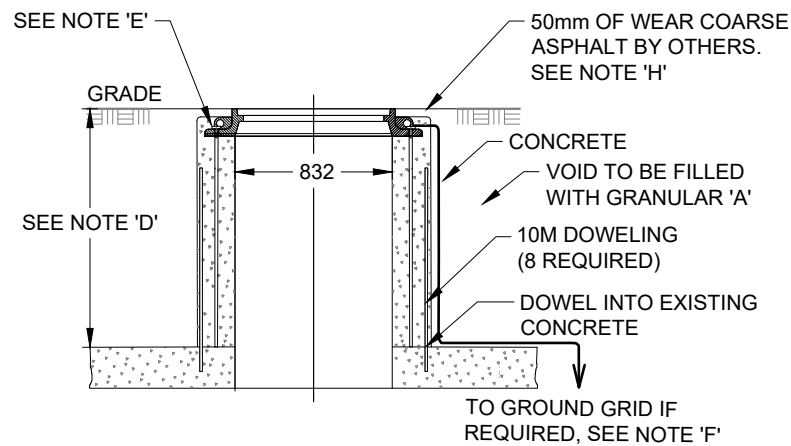
TOP VIEW - PRECAST MAINTENANCE HOLE COLLAR



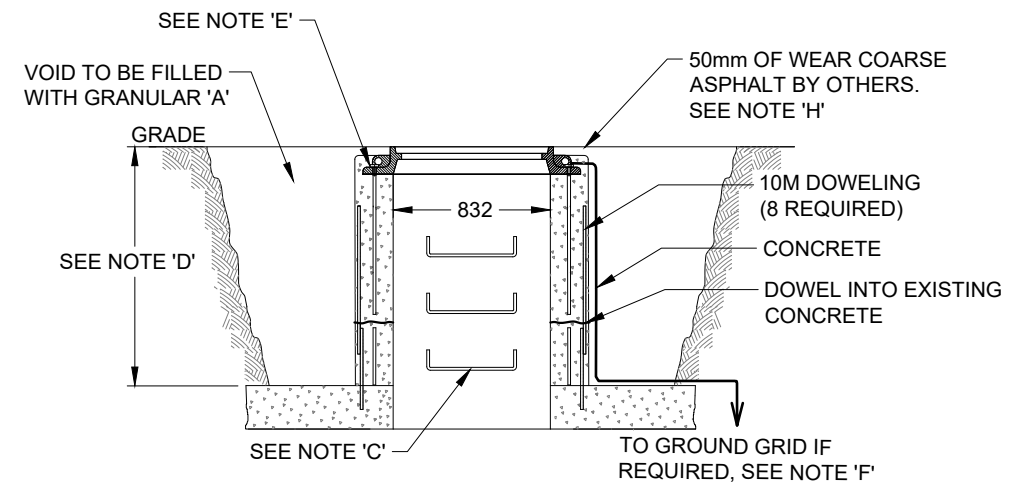
TOP VIEW - MAINTENANCE HOLE COLLAR REBUILD



TYPICAL CAST IN PLACE MAINTENANCE HOLE COLLAR



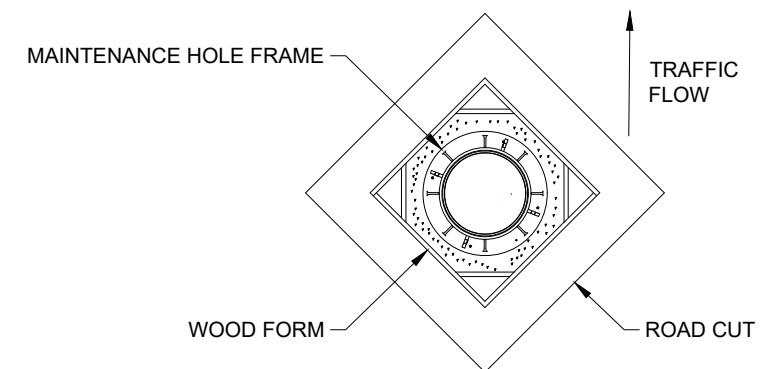
TYPICAL PRECAST MAINTENANCE HOLE COLLAR




TYPICAL MAINTENANCE HOLE COLLAR REBUILD

NOTES:

- A. ALL DIMENSIONS IN MILLIMETERS UNLESS OTHERWISE NOTED.
- B. CONCRETE AS PER SECTION 7.0 OF GCS0005.
- C. STEPS TO BE INSTALLED AS REPLACEMENT UNITS ONLY. HYDRO OTTAWA APPROVAL REQUIRED.
- D. COLLAR DIMENSION SHALL BE BETWEEN 450mm AND 760mm, WITH THE PREFERRED DIMENSION 450mm TO GUTTER GRADE.
- E. GALVANIZED ANCHOR BOLTS [4 x 355 mm x 16 mm] DIA. REQUIRED.
- F. FRAME TO BE GROUNDED WHERE MAINTENANCE HOLES ARE CUSTOMER OWNED.
- G. REINSTATEMENT AS PER SECTION 5.0 OF GCS0005.
- H. INCREASE HEIGHT OF CONCRETE TO GRADE WHEN INSTALLING COLLAR OUTSIDE OF HARD SURFACES.
- I. DIMENSIONS TO BE:
 - a. 100mm FOR COLLARS IN HARD SURFACES.
 - b. FOR SOFT SURFACES, DIMENSIONS DO NOT APPLY. REMOVE INNER FORMS AND EXTEND THE COLLAR THICKNESS TO FILL THE ENTIRE OUTER WOODEN FORM. WOODEN FORM TO BE A BOX OF 1400mm MINIMUM PER SIDE, CENTERED AROUND FRAME.



TYPICAL ROADWAY CUT OUT DETAIL

REVISIONS				PREP	CHKD	APPD	 www.hydroottawa.com	TITLE		
REV: 4	DATE: 2017-03-15	CHANGE: MAJOR LAYOUT CHANGE	GM	RW	CSM			ENGINEERING SPECIFICATION		
REV: 5	DATE: 2019-05-27	CHANGE: CHANGE AND FIX WALL THICKNESS TYPO.	EV	RW	BDH	PREP: G. MOLNAR		MAINTENANCE HOLE COLLAR		
REV: 6	DATE: 2021-12-10	CHANGE: CHANGES FOR OUTSIDE HARD SURFACES	EV	NS	MW	CHKD: C. PROULX		CONSTRUCTION DETAIL		
							APPD: C. MALONE P. Eng.	NO:	UCS0018	
							DATE: 2002-04-04			1 OF 1
							SCALE: N.T.S. @ ANSI B			REV: 6