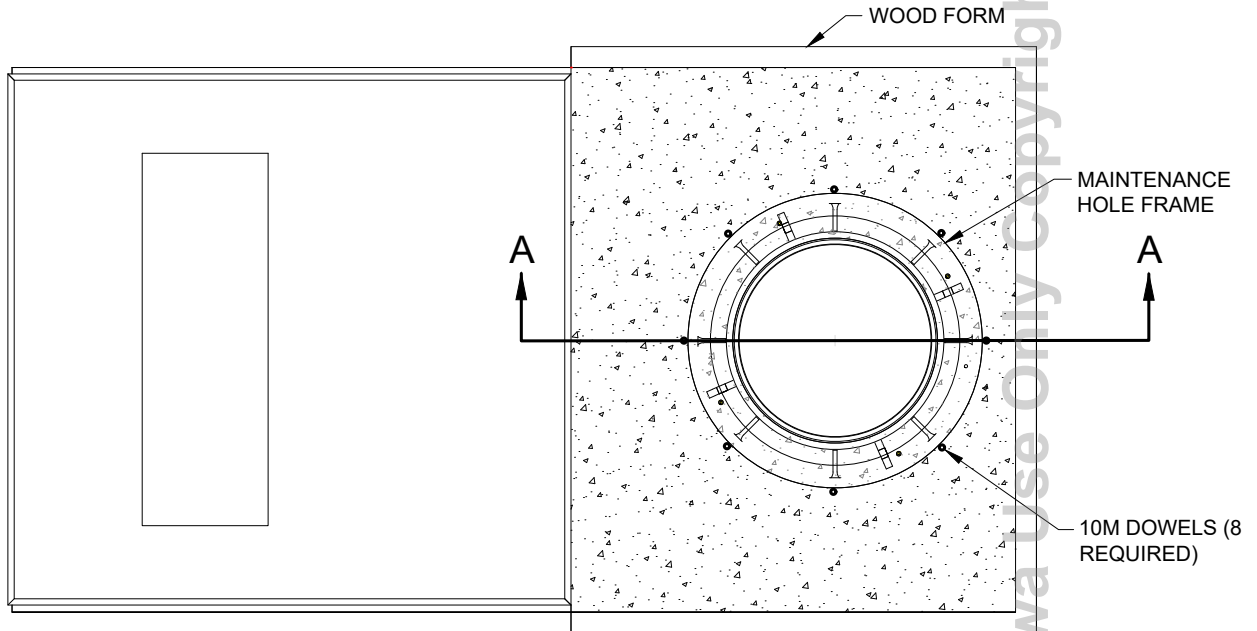
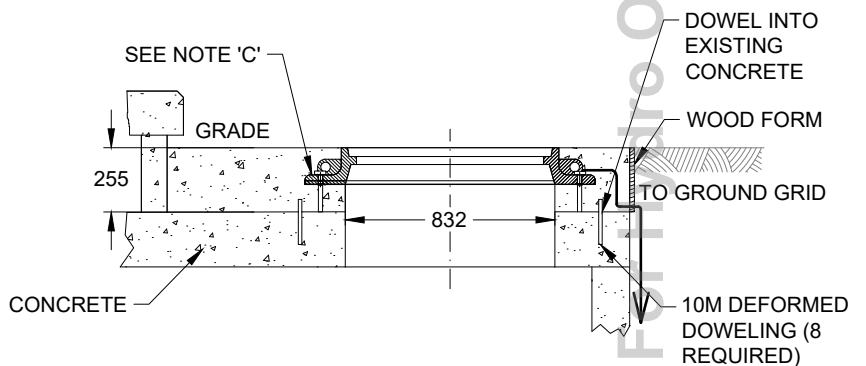


NOTES:

- A. ALL DIMENSIONS IN MILLIMETERS UNLESS OTHERWISE NOTED.
- B. CONCRETE AS PER SECTION 7.0 OF GCS0005.
- C. GALVANIZED ANCHOR BOLTS [4 x 355 mm x 16 mm] DIA. REQUIRED.
- D. FRAME TO BE GROUNDED .
- E. REINSTATEMENT AS PER SECTION 5.0 OF GCS0005.




TOP VIEW - PRECAST EQUIPMENT MAINTENANCE HOLE COLLAR



**DETAIL A - A
TYPICAL PRECAST EQUIPMENT
MAINTENANCE HOLE COLLAR**

4.2.3 TECH STD AND MAT --> 01 STDS --> 01 HOL --> U-UNDERGROUND --> C-CHAMBERS

REVISIONS		PREP	CHKD	APPD	 www.hydroottawa.com	TITLE ENGINEERING SPECIFICATION EQUIPMENT MAINTENANCE HOLE COLLAR
REV: CHANGE:	DATE:					
REV: CHANGE:	DATE:					NO: UCS0045
REV: CHANGE:	DATE:					1 OF 1 REV: 0